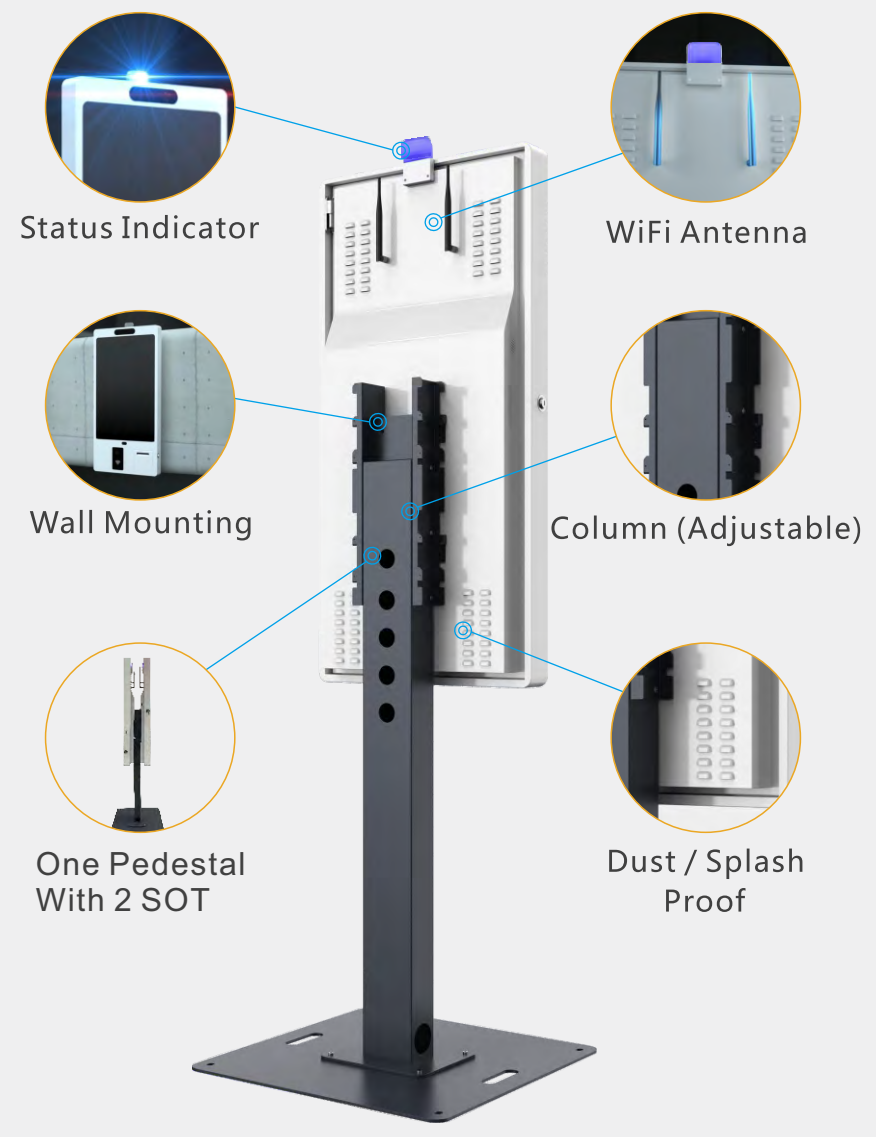




32" SOT



S30





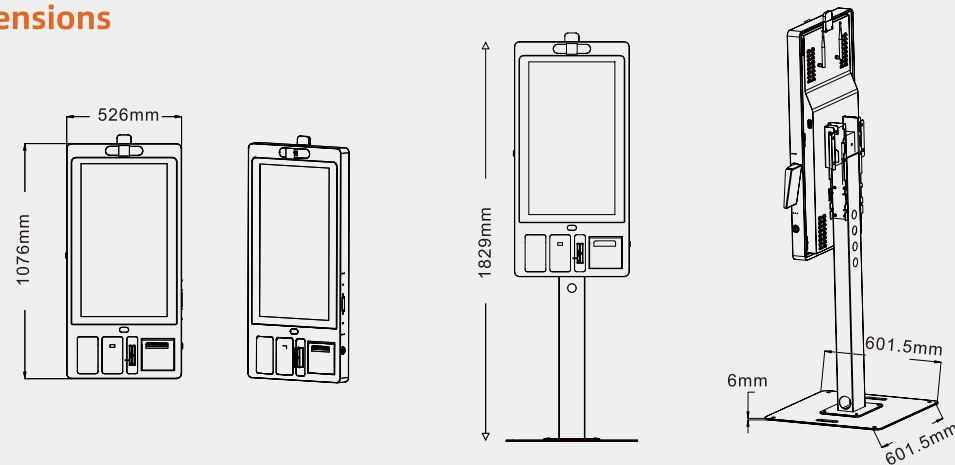
S30

32" SOT Self-order Terminal

- 32" FHD industrial grade True-flat PCAP-Touch screen
- Modular Options: Thermal printer, Camera Proximity sensor, Status indicator, Scanner, MSR NFC/RFID Card reader, Payment device cradle WiFi/BT/4G Antenna, Circuit breaker, Wall mount, Desktop stand
- Support both Windows and Android OS
- Sturdy Pedestal can support two SOT
- Chassis lock and Printer lock strengthen safety
- Clean and safe Cable management
- Splash-proof and dust-resistant
- Efficient Cooling system
- Screen surface treatment: Anti-glare, Haze 1%
- Unattended Service 24/7



Dimensions



S30 Specification

Model Number		S30				
CPU Support		Intel Elkhart Lake J6412 2.0GHz (up to 2.6GHz, 1.5MB Cache)	Intel Core i3 1115G4 3.0GHz (up to 4.1GHz)	Intel Core i5 1135G7 2.4GHz (up to 4.2GHz)	Rockchip3568 Cortex-A55 (up to 2.0GHz)	
System Memory		1 x DDR4, SO-DIMM, 8GB (Max. 32GB)		1x DDR4, SO-DIMM, 8GB (Max. 64GB)	DDR4, 4GB (Onboard)	
Storage Device		1 x mSATA / M.2 SSD 128GB (64GB/256GB optional)	1 x mSATA 128GB (64GB/256GB/512GB optional)		eMMC 32GB	
LCD	Size	32" TFT LCD panel				
	Brightness	350 cd/m ²				
	Resolution	1920 x 1080				
Touch Screen		True-Flat projected capacitive touch				
External I/O Port	USB	3 x USB3.0 + 7 x USB2.0	4 x USB3.0 + 6 x USB2.0		2 x USB3.0 + 4 x USB2.0	
	Serial port	2 x RJ50 + 1 x DB9	2 x DP9		1 x RJ12	
	DC-IN	1 x DC-IN	1 x DC-IN		1 x DC-IN	
	VGA	N/A	1 x VGA		N/A	
	HDMI	2 x HDMI	2 x HDMI		N/A	
	LAN	2 x LAN (10/100/1000Mb)		1 x LAN (10/100/1000Mb)		
	Audio	1 x Audio (3.5mm earphone connector, Support Line-Out&Line-In)		1 x Audio		N/A
	LVDS Signal	1 x LVDS Signal 30pin receptacle		N/A		
	LVDS Backlight	1 x LVDS Backlight 6pin receptacle		N/A		
	Speaker	2 x 2w Speaker receptacle (2pin 2W)		N/A		
	Cash Drawer	N/A			1 x RJ11	
	Power Switch	1 x Power switch		1 x Power switch		
Power		1 x 12V-5A 60W (system) / 1 x 24V-2A 48W (Printer)		1 x 12V-7A/84W (system) + 1 x 24V-2A/48W (Printer)		
OS Support		Windows 10 / 11 LTSC / Ubuntu 20.0.4			Android 11.0	
Standard Components	Printer	3" thermal printer w/auto cutter, 170 mm/sec (max.)				
	Camera	5MP Single camera / 2MP Dual camera (optional)				
	Proximity Sensor	Range from 60-80cm				
	Speaker	2 x 2w Speakers				
Environment	Operating Condition	0°C ~ 50°C, 20% - 90% RH				
	Storage Condition	-20°C ~ 70°C, 10% - 90% RH				
Physical Parameter	Main System	526mm x 100mm x 1076mm				
	Column	120mm x 85mm x 1200mm				
	Chassis	601.5mm x 601.5mm x 6mm				
Optional	WiFi	mPCI-E WiFi/BT module			WiFi/BT (onboard)	
	Scanner	VH460 (USB, 1D, 2D, Reading precision: = 3mil, Dimension: 36mm x 45mm x 25mm) DY3090 (USB, 1D, 2D, Reading precision: = 3mil, Dimension: 21.4mm x 10.8mm x 15.2mm)				
	MSR	USB-HID mode; 1, 2, 3 Track; ISO7810, 7811-1/2/3/4/5, IBM, AAMVA, JIS-2 Standard				
	Payment Device Bracket	Custom bracket support for various EMV payment devices				
	Status Light	Printer status light (Red light indicate error, Blue light indicate working)				
	NFC/RFID Reader	Support ISO/IEC 14443-A&B (MIFARE), JIS x 6319-4 (Felica), NFC protocols - tag read/write (ISO/IEC-18092)				
	Pedestal	Metal chassis, Metal columns				
	Wall Mount Bracket	Wall Mount Bracket (40mm from Wall to System)				



Status Indicator



Scanner RFID Reader



External Payment Terminal Bracket



3 Track MSR



Wall Mount Bracket