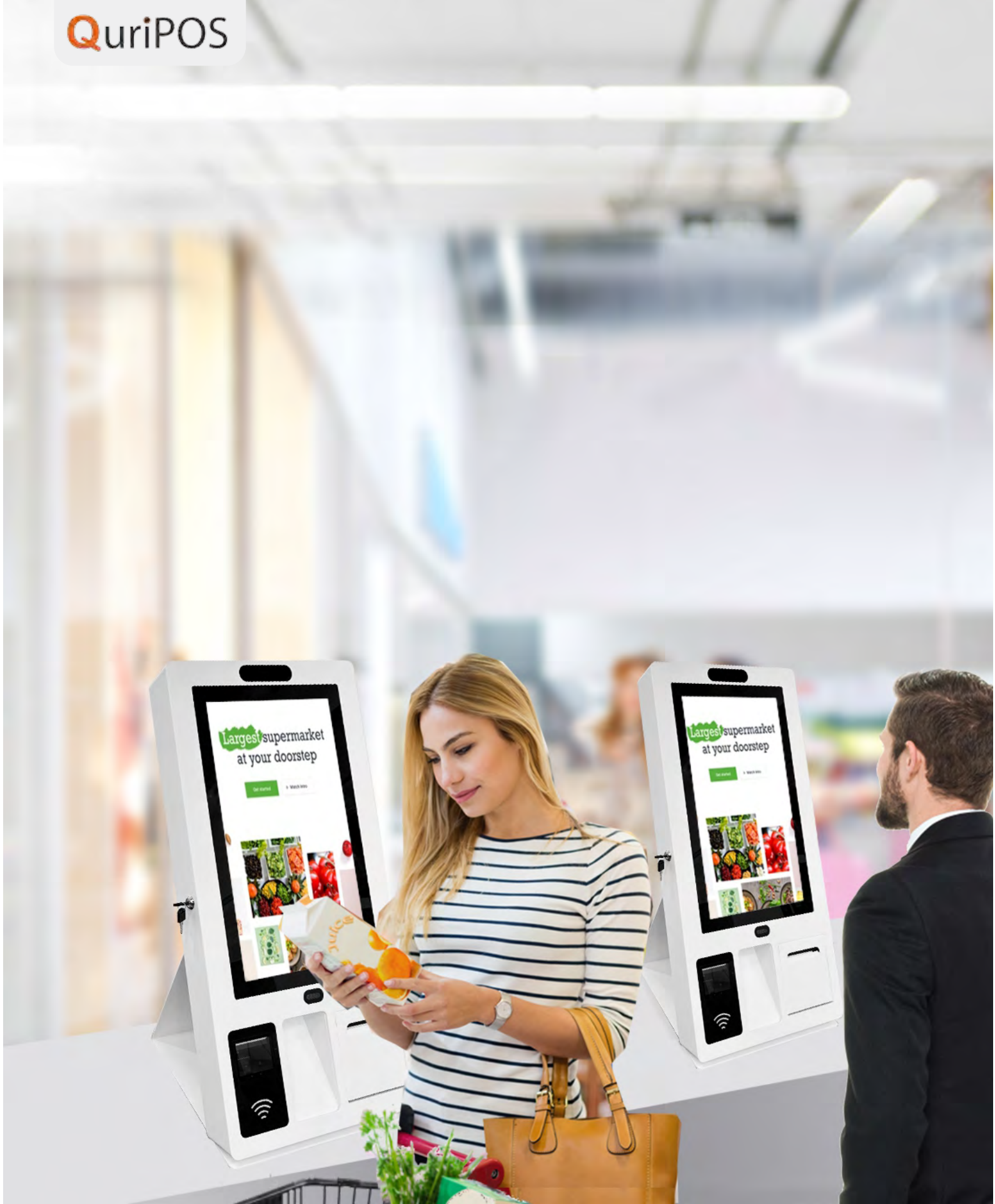




21.5" SOT

S22+

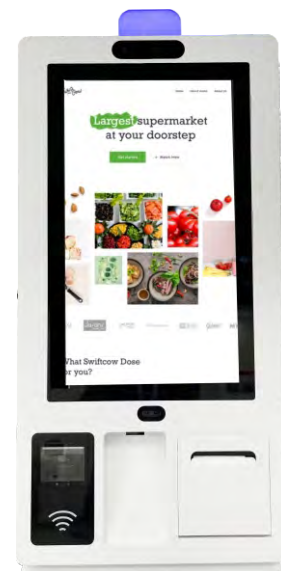




S22+

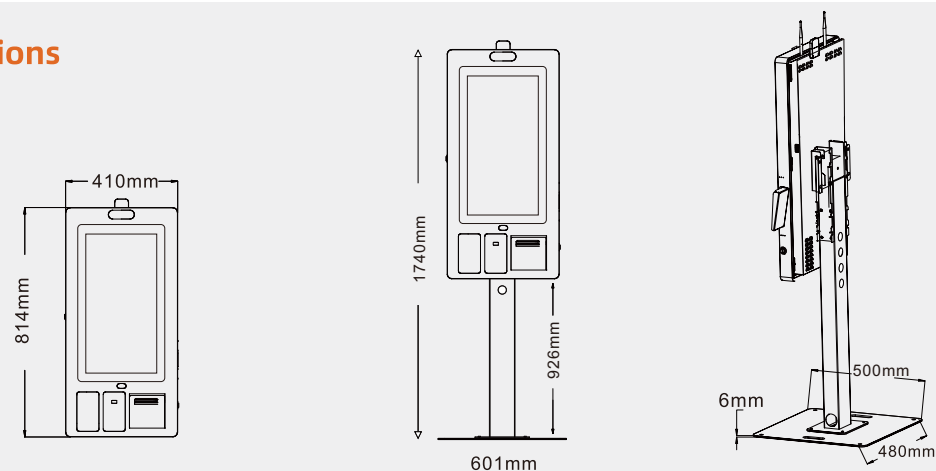
21.5" SOT Self-order Terminal

- 21.5"FHD industrial grade True-flat PCAP-Touch screen
- Modular Options: Thermal printer, Camera Proximity sensor, Status indicator, Scanner, MSR NFC/RFID Card reader, Payment device cradle WiFi/BT/4G Antenna, Circuit breaker, Wall mount, Desktop stand
- Support both Windows and Android OS
- Sturdy Pedestal can support two SOT
- Chassis lock and Printer lock strengthen safety
- Clean and safe Cable management
- Splash-proof and dust-resistant
- Efficient Cooling system
- Screen surface treatment: Anti-glare, Haze 1%
- Unattended Service 24/7



THE ROCK

Dimensions



S22+ Specification

Model Number	S22+				
CPU Support	Intel Elkhart Lake Celeron J6412, 2.0GHz, (up to 2.60 GHz)	Intel Tiger Lake Core i3-1115G4, 3.0GHz, (up to 4.1GHz)	Intel Tiger Lake Core i5-1135G7, 2.4GHz, (up to 4.2GHz)	Rockchip3568 Cortex-A55 (up to 2.0GHz)	
System Memory	1 x DDR4, SO-DIMM, 8GB (Max. 32GB)		DDR4, 4GB (Onboard)		
Storage Device	1 x mSATA / M.2 SSD 128GB (64GB/256GB optional)	1 x mSATA 128GB (64GB/256GB optional)	eMMC 32GB		
LCD	Size	21.5" TFT LCD panel			
	Brightness	250 cd/m ²			
	Resolution	1920 x 1080			
Touch Screen	True-Flat projected capacitive touch				
External I/O Port	DC-IN	1 x DC IN			
	VGA	1 x VGA		N/A	
	HDMI	1 x HDMI	2 x HDMI		N/A
	USB	2 x USB3.0 + 6 x USB2.0	4 x USB3.0 + 6 x USB2.0		2 x USB3.0 + 4 x USB2.0
	LAN	1 x LAN (10/100/1000Mb)			
	Audio	1 x Audio		N/A	
	Serial Port	1 x DB9		1 x RJ12	
	Cash Drawer	N/A		1 x RJ11	
	Power Switch	1 x Power switch			
	Power	1 x 12V-5A/60W (system) + 1 x 24V-2A/48W (printer)	1 x 12V-7A/84W (system) + 1 x 24V-2A/48W (printer)		1 x 12V-5A/60W (system) + 1 x 24V-2A/48W (printer)
OS Support	Windows 11/10 LTSC / Ubuntu 20.0.4		Android 11.0		
Standard Components	Printer	3" Thermal printer w/auto cutter, 170 mm/sec (max.)			
	Speaker	2 x 2w Speakers			
Environment	Operating Condition	0°C ~ 50°C, 20% - 90% RH			
	Storage Condition	-20°C ~ 70°C, 10% - 90% RH			
Physical Dimension	Main System	410mm x 100mm x 814mm			
	Column	120mm x 85mm x 1200mm			
	Chassis	480mm x 480mm x 6mm			
Optional	WiFi	mPCI-E WiFi/BT module		WiFi/BT(onboard)	
	Camera	5MP camera			
	Proximity Sensor	Range from 60~80cm			
	Scanner	MP718 (USB, 1D, 2D, Reading precision: ±4mil, Dimension: 90.5mm x 35.4mm x 80.2mm)			
	MSR	MSR + iButton (Combo) or MSR + RFID (Combo), USB (VCOM optional), 1, 2, 3 Track, ISO7810, 7811-1/2/3/4/5, IBM, AAMVA, JIS-2 Standard			
	NFC/RFID Reader	Support ISO/IEC 14443-A&B (MIFARE), JIS x 6319-4 (Felica), NFC protocols - tag read/write (ISO/IEC-18092)			
	Status Light	Printer status light (Red light indicate error, Blue light indicate working)			
	System Fan	2 or 4 x System fan			
	Circuit Breaker	2P Circuit breaker + Power extension socket (optional)			
	Pedestal	Metal chassis, Metal columns			
	Desktop Stand	Metal table top bracket			
	Wall Mount Bracket	Wall mount bracket (40mm from wall to system)			



Status Indicator



Scanner RFID Reader



External Payment Terminal Bracket



3 Track MSR



Wall Mount Bracket